

**HAND HELD PLATE BEVELLING MACHINE - KBM®15**

Powerful three phase motor

60mm (2.36 in) diameter milling cutters with nine inserts

Fast beveling of steel plated in one pass

Micrometric bevel depth adjustment

Compact and Lightweight

The KBM®15 hand held plate beveling machine has proven to be both popular and well suited for the welding and fabrication industry as well as for education institutions for carrying out weld preparation tasks.

The bench and portable models are supplied with large diameter milling cutters and can easily create a bevel up to its maximum capacity in one pass.

KBM-15

*Produces milled quality bevels with up to 15mm (.6 in) bevel face*

WITH ADJUSTABLE BEVELLING HEAD TO PRODUCE BEVEL ANGLES 15° TO 60°

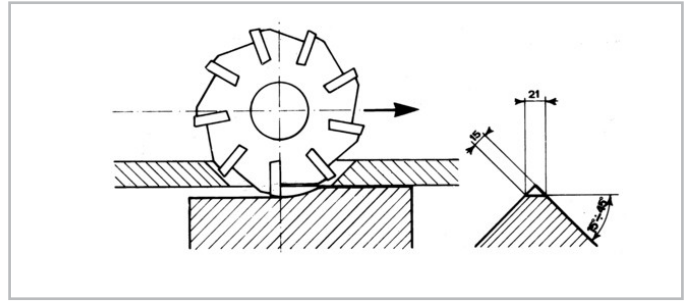
**GULLCO**

WELDING AND CUTTING



## SPECIFICATIONS

Milling Cutter Motor Power	230/400*, 1.5Kw, 50/60 Hz, 2 pols
Bevel Adjustment	0-10mm (0-.4 in)
Milling Cutter Diameter	60mm (2.36 in)
Plate Thickness	8mm - 50mm (.3 - 1.9 in)
Bevel Width	0 - 15mm (0 - .6 in)
Bevel Angle	15°-60°
Cutter Speed	2900 RPM
Weight	19kg (41.8 lbs)
Unit Dimensions	440x320x330mm (17.3x12.5x13in)



\* Special voltages available upon request

## CUTTER SPECIFICATIONS

Cutter	Diameter	Insert	N°	Material	Insert Code	Option
761 Standard	Ø60 mm (2.36in) (2x)	9.5x9.5 Thickness 3.2mm (.125 in)	9+9	CERMET	ISO SPUN120308	Coated
761/1/2/3 Optional	Ø60 mm (2.36in) (3x)	12.7x12.7 Thickness 3.9mm (.125 in)	5+5+5	WIDIA	ISO SDMT09T3EEN SP6519 Optional ISO SCHAT09T308EN SP6519-X500	Coated for Light Alloy

KAT, KBM, MOGGY, KATBAK & SAM are registered trademarks of Gullco Enterprises Limited

Distributed by:

SPECIFICATIONS ARE SUBJECT TO CHANGE WITHOUT NOTICE. ALL DIMENSIONS ARE NOMINAL

**GULLCO**

**CANADA - GULLCO INTERNATIONAL LIMITED**

Phone: 905-953-4140 Fax: 905-953-4138 e-mail: sales@gullco.com

**U.S.A - GULLCO INTERNATIONAL INC.**

Phone: 440-439-8333 Fax: 440-439-3634 e-mail: ussales@gullco.com

**EUROPE - GULLCO INTERNATIONAL (U.K.) LIMITED**

Phone: +44 1257-253579 Fax: +44 1257-254629 e-mail: uksales@gullco.com

**AUSTRALIA - GULLCO INTERNATIONAL PTY LIMITED**

Phone: 61 (0)7 3348 5515 Fax: 61 (0)7 3348 5510 e-mail: ausales@gullco.com

**INDIA - GULLCO INTERNATIONAL INDIA PVT LIMITED**

Phone: 91-20-6526-0382 Fax: 91-20-2683-6656 e-mail: indsales@gullco.com

**CHINA - GULLCO INTERNATIONAL SHANGHAI LIMITED**

Phone: +8621-50460341 Fax: +8621-50463554 e-mail: c.zhang@gullco.com

**SINGAPORE - GULLCO INTERNATIONAL LIMITED**

Phone: +65-9385-4468 e-mail: benny.lim@gullco.com

**LATIN AMERICA - GULLCO INTERNATIONAL LIMITED**

Phone: 55-11-99485-1336 e-mail: rogerio.macedo@gullco.com

**Stuch GmbH & Co. KG Schweistechnik - GERMANY**

Phone: (02 03) 72 94 95 Fax: (02 03) 72 94 96 e-mail: info@stuch-schweisstechnik.de

WWW.GULLCO.COM

KBM15-13