

THE MOST COMPLETE RANGE OF STABILIZING OVENS

**PORTABLE WELDING OVENS**

These electrode ovens are lightweight but durable. The design makes this oven model easy to carry and easy to load. The welding ovens provide low cost control of welding quality in the shop or at the job site. Available in 20 lb. capacity and 50 lb. capacity models.

MODEL 350



MODEL 125



MODEL 50  
50 lb Capacity  
Electrode oven with  
handle and wheel  
assembly for easier  
portability



MODEL 10A-20

**WELDING OVENS:  
COMPACT IN-SHOP MODELS**

The in-shop models are designed to maintain electrode integrity at a higher temperature range. All in-shop models have a recessed control panel for protection as well as removable shelves and thermostat control. These models are available in 125 lb., 350 lb. and 1000 lb. capacities.

**1000 POUND CAPACITY HIGH TEMPERATURE  
ELECTRODE RE-BAKING STABILIZING OVEN**

Available in two models, one equipped with an Indicating Control System and the other with an Electronic Digital Programmer Controller.



WELDING AND CUTTING AUTOMATION



WELD FLUX HOPPERS AND REBAKE OVENS



Flux Holding Ovens

Flux Rebake Ovens

Maintain critical flux specifications with precise temperature control

Utilizes low watt density elements to allow for accurate uniform temperature control

*Flux Hopper and Rebake Ovens for Submerged Arc Welding*

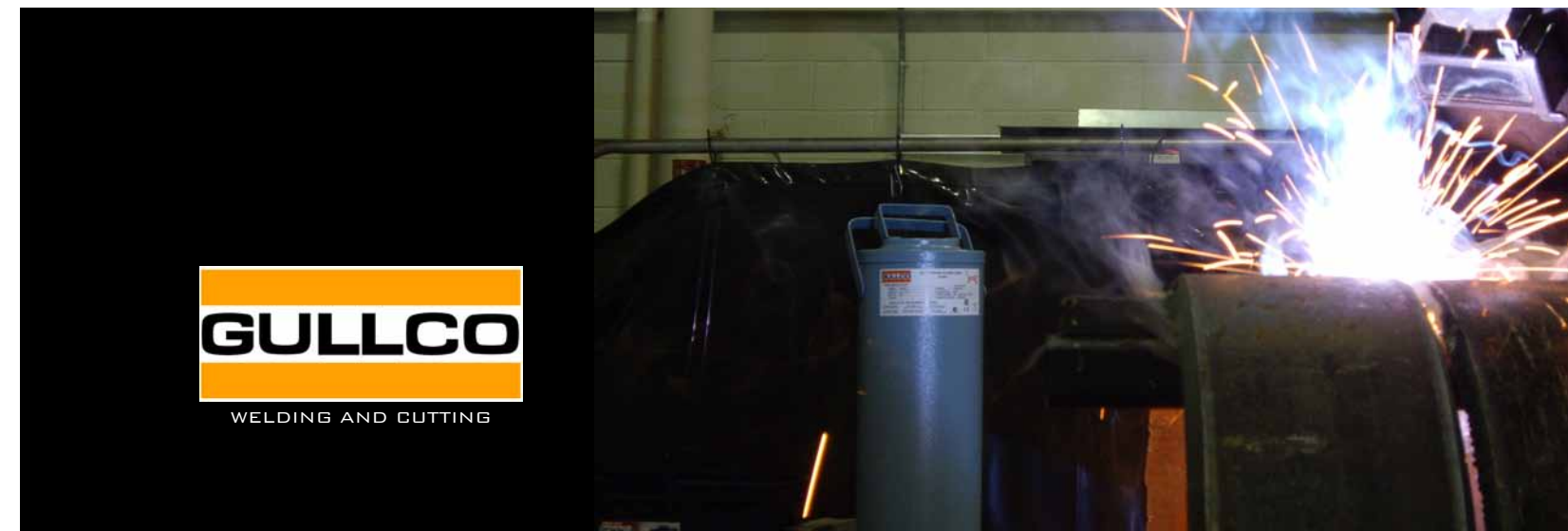
FLUX HOPPERS AND FLUX HOLDING OVENS ASSURE FLUX SPECIFICATIONS ARE MAINTAINED

KAT, KBM, MOGGY, KATBAK & SAM are registered trademarks of Gullco Enterprises Limited

SPECIFICATIONS ARE SUBJECT TO CHANGE WITHOUT NOTICE

Distributed by:

<b>GULLCO</b>		
<b>CANADA - GULLCO INTERNATIONAL LIMITED</b>	Phone: 905-953-4140	Fax: 905-953-4138 e-mail: sales@gullco.com
<b>U.S.A - GULLCO INTERNATIONAL INC.</b>	Phone: 440-439-8333	Fax: 440-439-3634 e-mail: ussales@gullco.com
<b>EUROPE - GULLCO INTERNATIONAL (U.K.) LIMITED</b>	Phone: +44 1257-253579	Fax: +44 1257-254629 e-mail: sales@gullco.co.uk
<b>AUSTRALIA - GULLCO INTERNATIONAL PTY LIMITED</b>	Phone: 61 (0)7 3348 5515	Fax: 61 (0)7 3348 5510 e-mail: ausales@gullco.com
<b>INDIA - GULLCO INTERNATIONAL INDIA PVT LIMITED</b>	Phone: 91-20-65260382	Fax: 91-20-26836656 e-mail: india.io@gullco.com
<b>CHINA - GULLCO INTERNATIONAL SHANGHAI LIMITED</b>	Phone: +8621-50460341	Fax: +8621-50463554 e-mail: gsuntech@sh163.net
<b>SINGAPORE - GULLCO INTERNATIONAL LIMITED</b>	Phone: +65-9385-4468	e-mail: benny.lim@gullco.com
<b>LATIN AMERICA - GULLCO INTERNATIONAL LIMITED</b>	Phone: 55-11-9485-1336	e-mail: rogerio.macedo@gullco.com
<b>STUCH GMBH &amp; Co. KG SCHWEISSTECHNIK - GERMANY</b>	Phone: (02 03) 72 94 95	Fax: (02 03) 72 94 96 e-mail: info@stuch-schweisstechnik.de



WELDING AND CUTTING

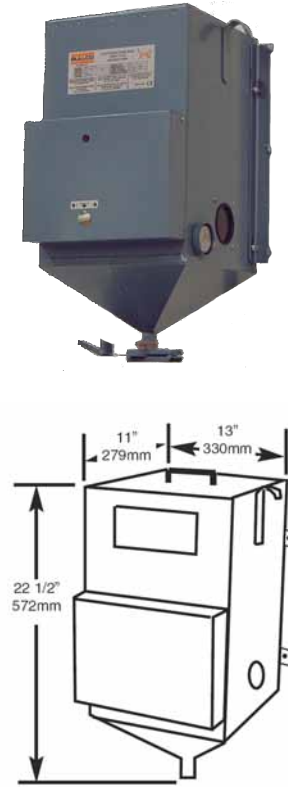


## FLUX HOPPERS

### 100 lb. HOPPER

#### MODEL GOV 100 FH:

This 100 lb. Capacity Flux Hopper is designed for mounting either directly above the welding head or on the welding manipulator to maintain the flux in its original dry state. It is complete with mountings lugs, lift-off loading lid, thermometer, flux level window, flux screen and a flux heating system incorporating 40 watts of low density elements. The temperature is controlled by a thermostat. The temperature range is 100° to 400° F. All for operation on 115 / 230 volts, 50/60 cycle AC power supply. Weight 27 lbs.



## FLUX HOLDING OVENS

### MODEL

#### GOV 100 PFD:

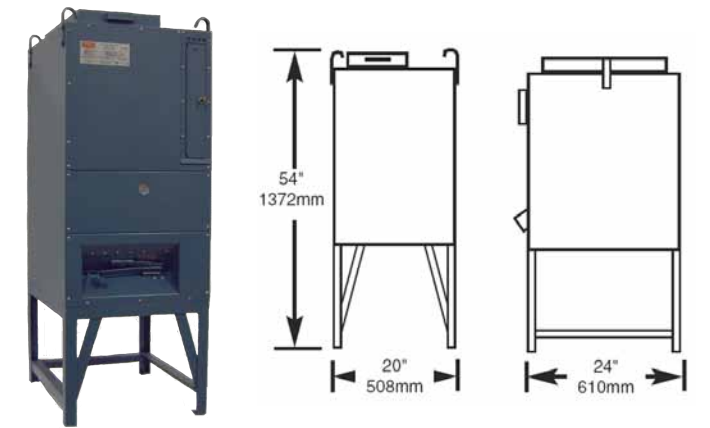
This portable 100 lb. capacity Flux Holding Oven uses the same flux hopper as Model GOV 100 FH except it is supplied complete with a portable carrier, a 25 lb. capacity flux bucket for transfer of the flux to the welding head. Flux bucket gravity feed from a positive lever type valve at the base of the Hopper. The 100 lb. Hopper can be readily detached from its portable carrier and mounted directly above the welding head or on the welding manipulator. All for operation on 115 / 230 volts, 50/60 cycle AC power supply. Weight 50 lb.



## 200 LB. HOLDING OVEN

### MODEL GOV 200 FD:

This insulated 200 lb. capacity Flux Holding Oven is generally located in the storage area and is used to keep the flux in its dry state or to dry out flux that has picked up moisture. It is complete with lifting lugs, and hinged loading lid, thermometer and a flux heating system incorporating 1500 watts of low density elements. The temperature is controlled by a thermostat. The temperature range is 100° to 550°F. All for operation on 115 / 230 volts, 50/60 cycle AC power supply. Weight 155 lbs.



## 600 LB. HOLDING OVENS

### MODEL GOV 600 FD3:

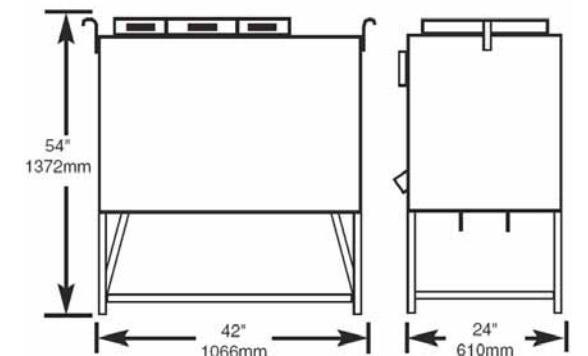
This fully insulated 600 lb. capacity Flux Oven incorporates three (3) individual 200 lb. hoppers, enabling up to three (3) different types of flux to be stored and dried simultaneously. It is complete with three (3) individual thermometers and a flux heating system incorporating 4500 watts of low density elements. Temperature is controlled by three (3) individual thermostats so that each hopper is individually controlled. Temperature range 100° to 550°F. All for operation on 220 / 415 volt, 3 phase AC power supply. Weight 250 lb.



**NOTE: All above Ovens can be supplied for operation on 220 volts or 440 volts, single phase power supply. Please consult with manufacturing.**

### 600 LB FLUX BAKE OVEN Model GOV 600 FDH:

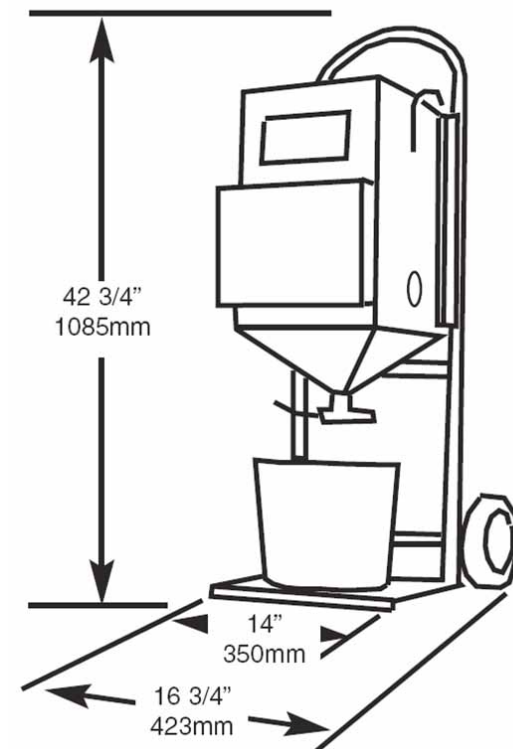
This fully insulated 600 lb. capacity high temperature Flux Bake Oven is similar in design to the above Model GOV 600 FD3, except incorporating high temperature insulation, high temperature wiring and the flux heating system which incorporates 11,400 watts of low density elements. Temperature range 100° to 850°F. Each hopper controlled by an individual thermostat to provide individual temperature control. All for operation on 220, 440 or 575 volts, 3 phase power supply. Weight 350 lb. \*



## SUBMERGED ARC MOGGY

### MODEL GM-02

This SAM® trackless welding carriage can be equipped to produce precision, quality submerged arc or MIG welds. It is guided by adjustable horizontal guide roller assemblies which maintain a set distance from a vertical member or a unique optional "handled" steering device. The unit comes complete with a removable attachment post that holds a wire feed head, flux hopper & valve (submerged arc unit only), wire spool, controls and adjustable weld positioning brackets with horizontal and vertical slides that enable full positioning of the weld gun either behind or beside the carriage.



\* Voltage must be specified at time of placing order